



TECHNICAL FILE

ANCHORS:
PLFIXV & PLFIXVI

Technical Documentation

Anchor point

SINGLE ANCHOR POINT

WVPLFIXVI

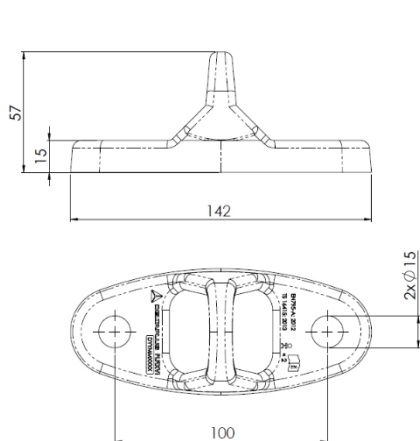


PRODUCT ADVANTAGES

- Receives all type of connectors until 60mm of opening (carabiner, hooks...)
- Adapted for roof installation
- Adapted for suspended work
- Compatible with ROPE ACCESS devices (15kN)
- Quick installation: mounting holes help drilling the support properly
Ø14mm diameter
- Stainless steel product for high resistance against corrosion

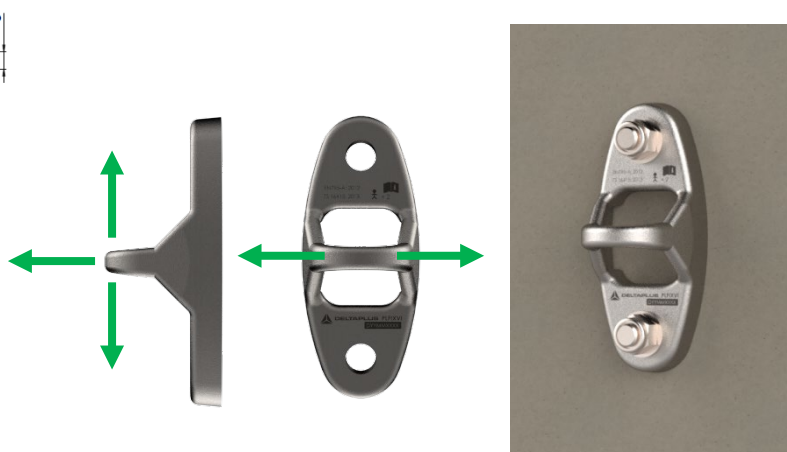


PRODUCT PLAN



INSTALLATION PRINCIPLE

Mounting example on concrete wall



TECHNICAL FEATURES

- Material: Stainless Steel 316
- Finishing: Raw Stainless Steel
- Weight: 0.42 kg
- Compliant with the following standards:
EN 795-2012 and TS 16415-2013 for 2 users
- Resistance: > 23 kN (2300kg)

INSTALLATION FEATURES

- Possible installation in all axis
- Installed with 2 fasteners Ø 12 minimum
- Installation on C20 / C25 type concrete
recommended with HILTI HVU M12 adhesive
bolts or equivalents
- Using conditions: Indoor / Outdoor
- Temperatures: from -20°C à + 50°C
- Installation on vertical, horizontal and inclined
surfaces
- Possible usage in all directions shown by the
green arrows





Distributed by

Anchoring point

PLFIVXV and PLFIXVI

PRESENTATION

The Delta Plus Systems range of anchor points is ideal for securing a localised area.

It has been designed to accommodate all types of connectors up to 60mm wide.

CONFORMITY & MARKING

Product marking in accordance with standard EN 365 WVPLFIXV and WVPLFIXVI comply with the :

- ▶ EN 795 standard
- ▶ CEN/TS 16415:2013

Type tests carried out by:

- Quintin Certifications

1031 route de Saint Ange - 38760 Varcès Allières et Risset

- ALPES CONTROLES

367 Av du Grand Arietaz - 73000 Chambéry

REMINDER OF STANDARDS

Only when it is technically impossible to provide collective protection can individual protection against falls from height be considered (French Labour Code R4323-61).

Personal protective equipment can also be used as a complement to collective protection. The use of this type of protection imposes organisational constraints, in particular:

- defining, installing and choosing the type of equipment (lifeline, anchorage point, etc.),
- work with at least two people,
- definition of an emergency response plan,
- installation and use instructions,
- staff information and training,
- periodic inspections,
- weather conditions.

As a reminder, extract from recommendation R430 - INRS/CNAMTS:

For buildings to be constructed of any kind, technical provisions to facilitate the prevention of falls from height during subsequent work on the building must be provided for at the design stage.

The ground of technical impossibility cannot therefore be accepted, as it is now up to the project owner to modify his project so that no situation remains that cannot be properly resolved, at least, by the implementation of collective protection.



Distributed by



QUINTIN CERTIFICATIONS
1031 route de Saint Ange
38760 VARCES ALLIERES
ET RISSET - France
Tél. +33 (0)7 66 29 39 28
q.quintin.cerassat@gmail.com
www.quintincertifications.com

CERTIFICATE OF CONFORMITY N°RQC2020-024/A

1. APPLICANT

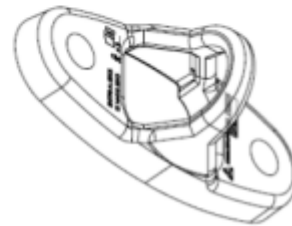
Applicant : Mr David NAULIN
Manufacturer : DELTA PLUS – ZAC La Peyrolière - BP140 - 84405 Apt Cedex - France

2. EQUIPMENT

Type of equipment : **Anchor device type A – EN 795 : 2012* and TS 16415 :2013***
Trademark : **DELTA PLUS**
Reference : **PLFIXVI**

3. DESCRIPTION

Stainless steel moulded anchor consists of a base thickness 15 mm with 2 holes Ø 15 mm for fastening and a ring Ø 31 mm allowing the connection of 2 users simultaneously. The anchoring device can be used on horizontal and vertical surfaces in the axial or radial direction to the anchor ring and in overhead.



(full description and results in the conformity report n°RQC2020-024-1).

4. TECHNICAL REFERENTIAL

The anchor device type A has been evaluated according to the relevant requirement of the standard EN 795 : 2012* "Personal fall protection equipment – Anchor devices" and the technical specification TS 16415 :2013* "Personal fall protection equipment – Anchor devices – Recommendations for anchor devices for use by more than one person simultaneously".

5. CONDITION OF USE

This anchor device type A is not considered as personal protective equipment against falls from a height. It is intended to be used, in combination with other components, as personal protective equipment against falls from a height.

6. CONCLUSION

The Anchor device Type A, reference **PLFIXVI**, presented by **DELTA PLUS** and described in the conformity report RQC2020-024-1, conforms to the requirements of European standard EN 795:2012* and Technical Specification TS 16415:2013*.

The anchor device also underwent with a successful 22 kN complementary static test for 3 minutes in each direction of use.

27/07/2020

The head of QUINTIN CERTIFICATIONS
Guillaume QUINTIN

Only the tests that fall within the COFRAC accreditation scope are marked with *. QUINTIN CERTIFICATIONS does not allow partial reproduction of this document and reproduction of the Cofrac logo. The full reproduction of this document is the only one allowed.

Cette attestation d'une page ne constitue pas le justificatif prévu par le code de la consommation (article L-115-27) par lequel un organisme distinct du fabricant atteste à des fins commerciales qu'un produit est conforme à des caractéristiques dans un référentiel déposé auprès de l'autorité administrative

QUINTIN CERTIFICATIONS – 1031 route de Saint Ange – 38760 VARCES ALLIERES ET RISSET – France TEL +33 (0) 7 66 29 39 28 – Email : q.quintin.cerassat@gmail.com
SARL au capital de 10 000 € - SREN 848 919 676 - TVA intracommunautaire FR81848 919 676

QC-151-V1 - Attestation de conformité Cofrac GB/RQC2020-024 A GB_DELTA PLUS/ 27/07/2020 15:49



Distributed by



Bureau Alpes Contrôles
Agence d'Annecy
 PAE Les Glaisins
 3 bis, Impasse des Prairies
 74940 ANNECY-LE-VIEUX
 Tél. : 04 50 64 15 23 - Fax : 04 50 64 06 02
 annecy@alpes-controles.fr
 SIRET 351 812 698 00667 - RCS Annecy

STANDARD COMPLIANCE:
EN 795: 2012-A et mars 2016
N°740X1623

I. APPLICANT

Applicant: Mr ARGOUD
 Manufacturer: VERTIC - 691, Chemin des fontaines - CIDEX 8F - 38190 BERNIN - France

II. EXAMINED EQUIPMENT

Brand: VERTIC
 Reference: PLFIXV
 Commercial designation: Anchor plate with double fixation

III. STANDARDS

The device has been evaluated according to the static and dynamic requirements of standards NF EN 795 "Device Anchor" of 2012-A and March 2016.

IV. TERMS OF USE

- This device is not considered as being a personal protection equipment.
- This device is intended to be used in combination with a personal protection equipment.
- Installation is possible on horizontal and inclined mounting surfaces.


V. DESCRIPTION

See the PLFIXV product technical compliance file written by Mr. Florian WATELET

VI. CONCLUSION

The reference device "PLFIXV" of the company VERTIC, as defined in the report No. 740X1623 of the 16/02/2016, has satisfied the static and dynamic requirements resistance, standards EN795 of 2012-A and March 2016

ANNECY, LE VIEUX, On May 27, 2016


 Inspector,
 Bruno DELACQUIS

Bureau Alpes Contrôles - Siège social - PAE Les Glaisins - 3 bis, impasse des Prairies - 74940 ANNECY-LE-VIEUX - ☎ 04 50 64 06 75 - 📠 04 50 64 23 80
 ✉ contact@alpes-controles.fr - www.alpes-controles.fr
 SIREN 351 812 698 - RCS Annecy - APE 7120B - Id. TVA FR 21 351 812 698 - SAS au capital de 500 000 €
Agences - AQUITAINE : Bordeaux (33), Dax (40) - **AUVERGNE :** Clermont-Ferrand (63) - **BOURGOGNE-FRANCHE-COMTÉ :** Dijon (21), Besançon (25), Belfort (90) - **ILE-DE-FRANCE :** Colombes (92) - Rungis (94) - **LANGUEDOC-ROUSSILLON :** Nîmes (30), Montpellier (34)
MIDI-PYRÉNÉES : Toulouse (31), Montauban (82) - **P.A.C.A. :** Nice (06), Marseille (13), Toulon (83), Orange (84) - **PAYS-DE-LOIRE :** Nantes (44)
POITOU-CHARENTES : Angoulême (16), La Rochelle (17) - **RHÔNE-ALPES :** Bourg-en-Bresse (01), Valence (26), Grenoble (38), Saint-Etienne (42), Lyon (69), Chambéry (73), Albertville (73), Annecy (74), Bonneville (74), Thonon (74)



Distributed by



Bureau Alpes Contrôles
Agence d'Annecy
PAE Les Glaisins
3 bis, Impasse des Prairies
74940 ANNECY-LE-VIEUX
Tél. : 04 50 64 15 23 - Fax : 04 50 64 06 02
annecy@alpes-contrôles.fr
SIRET 351 812 698 00667 - RCS Annecy

STANDARD COMPLIANCE:
TS 16415-2013
N°740X1623

I. APPLICANT

Applicant: Mr ARGOUD

Manufacturer: VERTIC - 691, Chemin des fontaines - CIDEX 8F - 38190 BERNIN - France

II. EXAMINED EQUIPMENT

Brand: VERTIC

Reference: PLFIXV

Commercial designation: Anchor plate with double fixation

III. STANDARDS

The improved device according to the static and dynamic requirements of standard TS 16415 "anchor devices for use by more than one person simultaneously" of 2013.

IV. TERMS OF USE

- This device is not considered as being a personal protection equipment.
- This device is intended to be used in combination with a personal protection equipment.
- Installation is possible on horizontal and inclined mounting surfaces.

V. DESCRIPTION

See the PLFIXV product technical compliance file written by Mr. Florian WATELET

VI. CONCLUSION

The reference device "PLFIXV" of the company VERTIC, as defined in the report No. 740X1623 of the 16/02/2016, has satisfied the static and dynamic requirements resistance, standards TS 16415 : 2013

ANNECY LE VIEUX, On May 27, 2016

Inspector,

Bruno DELACQUIS

Bureau Alpes Contrôles - Siège social - PAE Les Glaisins - 3 bis, Impasse des Prairies - 74940 ANNECY-LE-VIEUX - ☎ 04 50 64 06 75 - 📠 04 50 64 23 80
✉ contact@alpes-contrôles.fr - www.alpes-contrôles.fr
SIREN 351 812 698 - RCS Annecy - APE 7120B - Id. TVA FR 21 351 812 698 - SAS au capital de 500 000 €
Agences - AQUITAINE : Bordeaux (33), Dax (40) - AUVERGNE : Clermont-Ferrand (63) - BOURGOGNE-FRANCHE-COMTÉ : Dijon (21), Besançon (25), Belfort (90) - ILE-DE-FRANCE : Colombes (92) - Rungis (94) - LANGUEDOC-ROUSSILLON : Nîmes (30), Montpellier (34)
MIDI-PYRÉNÉES : Toulouse (31), Montauban (82) - P.A.C.A. : Nice (06), Marseille (13), Toulon (83), Orange (84) - PAYS-DE-LOIRE : Nantes (44)
POITOU-CHARENTES : Angoulême (16), La Rochelle (17) - RHÔNE-ALPES : Bourg-en-Bresse (01), Valence (26), Grenoble (38), Saint-Etienne (42), Lyon (69), Chambéry (73), Albertville (73), Annecy (74), Bonneville (74), Thonon (74)



Distributed by



Bureau Alpes Contrôles
Agence d'Annecy
PAE Les Glaisins
3 bis, impasse des Prairies
74940 ANNECY-LE-VIEUX
Tél. : 04 50 64 15 23 – Fax : 04 50 64 06 02
annecy@alpes-controles.fr
SIRET 351 812 698 00667 - RCS Annecy

STANDARD COMPLIANCE:
EN 12841-2006
N°740X1623

I. APPLICANT

Applicant: Mr ARGOUD

Manufacturer: VERTIC - 691, Chemin des fontaines - CIDEX 8F - 38190 BERNIN - France

II. EXAMINED EQUIPMENT

Brand: VERTIC

Reference: PLFIXV

Commercial designation: Anchor plate with double fixation

III. STANDARDS

The improved device according to the static requirements of standard EN 12841-2006

IV. TERMS OF USE

- This device is not considered as being a personal protection equipment.
- This device is intended to be used in combination with a personal protection equipment.
- Installation is possible on horizontal and inclined mounting surfaces.

V. DESCRIPTION

See the PLFIXV product technical compliance file written by Mr. Florian WATELET

VI. CONCLUSION

The reference device "PLFIXV" of the company VERTIC, as defined in the report No. 740X1623 of the 16/02/2016, has satisfied the static and dynamic requirements resistance, standards EN 12841-2006

ANNECY LE VIEUX, On May 27, 2016

Inspector,

Bruno DELACQUIS

Bureau Alpes Contrôles - Siège social - PAE Les Glaisins - 3 bis, impasse des Prairies - 74940 ANNECY-LE-VIEUX - ☎ 04 50 64 06 75 - ☎ 04 50 64 23 80
✉ contact@alpes-controles.fr - www.alpes-controles.fr
SIREN 351 812 698 - RCS Annecy - APE 7120B - Id. TVA FR 21 351 812 698 - SAS au capital de 500 000 €
Agences - AQUITAINE : Bordeaux (33), Dax (40) - AUVERGNE : Clermont-Ferrand (63) - BOURGOGNE-FRANCHE-COMTÉ : Dijon (21), Besançon (25), Belfort (90) - ILE-DE-FRANCE : Colombes (92) - Rungis (94) - LANGUEDOC-ROUSSILLON : Nîmes (30), Montpellier (34)
MIDI-PYRÉNÉES : Toulouse (31), Montauban (82) - P.A.C.A. : Nice (06), Marseille (13), Toulon (83), Orange (84) - PAYS-DE-LOIRE : Nantes (44)
POITOU-CHARENTES : Angoulême (16), La Rochelle (17) - RHÔNE-ALPES : Bourg-en-Bresse (01), Valence (26), Grenoble (38), Saint-Etienne (42), Lyon (69), Chambéry (73), Albertville (73), Annecy (74), Bonneville (74), Thonon (74)



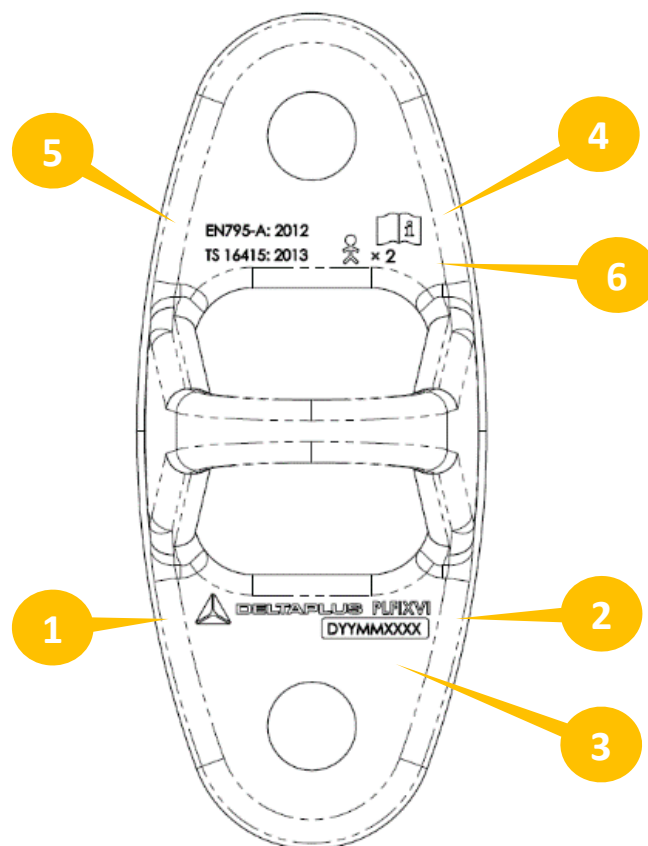
Distributed by

Anchoring point

PLFIVXV and PLFIXVI

Product marking in compliance with EN 365

- 1 Manufacturer's name
- 2 Anchoring point reference
- 3 Serial number: DYYMMXXXX (MM = month of manufacture, XXXX = year of manufacture)
- 4 Pictogram inviting you to read the instructions
- 5 Numbers to which the equipment complies
- 6 Maximum number of people authorised to connect simultaneously





Distributed by

Anchoring point

PLFIVXV and PLFIXVI

Information

These instructions are intended for users and installers of the PLFIXV and PLFIXVI anchor plates. It must be read and understood by each person before using and/or installing the product. If you have any doubts, problems of understanding, or if a problem arises which is not dealt with in this document, contact your Delta Plus Systems representative or the Delta Plus Systems technical service directly.

These instructions must always be available and accessible to the user. Any activity at height is dangerous and may cause accidents, serious injury or death. You are responsible for practising and learning the techniques for using the appropriate equipment.

Before using the product, you must therefore read and understand all the information contained in the instructions for use. Failure to heed any of these warnings could result in serious injury or death. For safety reasons, the user must be in good health and not be under the influence of medication, alcohol or drugs. This equipment must only be used by persons who are trained and competent to use it safely.

The use of the PLFIXV or PLFIXVI anchor plate is strictly forbidden if the product is incorrectly installed or damaged. No modification or addition to the equipment may be made without the prior written consent of Delta Plus Systems, and any repairs must be carried out in accordance with Delta Plus Systems' operating procedures. The PLFIXV or PLFIXVI anchor plate must not be used beyond its limits, or in any other unforeseen situation.

Before any use of the anchor plate, a rescue plan must be put in place to deal with any emergencies that may arise during work. Before and during use, it should of course be ensured that any such rescue can be carried out safely and effectively.

Instructions for use

This product is intended exclusively for use as an anchor for personal protective equipment (PPE) against falls from a height and not for lifting equipment.

It is designed to be installed on:

- A rigid structure using 2 structural anchors with a diameter $\geq 12\text{mm}$.

The PLFIXV anchoring point can be installed on a rigid, vertical/horizontal/sloping surface, whose two fixings meet the strength requirements described in the product's installation instructions. The maximum load permitted by the product in use may be applied in any direction. The **strength of the structure must be greater than 13kN**.

The anchorage point is suitable for use by two people simultaneously with the following authorised connections:

- Guided type fall arresters EN353-2
- Automatic fall arresters EN360
- Energy absorber EN355

The user must be equipped with a means of limiting the maximum dynamic forces exerted on him when stopping a fall to a maximum value of 6kN.

Authorised connections will be made to the person using a fall arrest harness that complies with Standard EN 361.

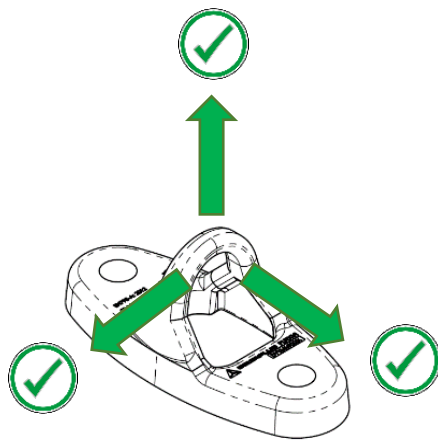


Distributed by

Anchoring point

PLFIVXV and PLFIXVI

The fall arrest harness is the only body-gripping device permitted to be used in a fall arrest system. If the ring is deformed, this means that a high level of stress has occurred. Do not use the anchorage point until it has been inspected and repaired by a competent person authorised by Delta Plus Systems.



Authorised solicitation
directions

Important - Prevention before use

Visually check that the anchor point is in good condition:

- No permanent deformation of the anchoring ring
- No signs of corrosion likely to affect the product's functionality.
- Fixing in good condition. Check that the mounting plate is properly tightened.

The anchor point is marked with the date of the next or last inspection.

At height, your life depends on the equipment used. Any doubts about the safety of the device should be reported to the manufacturer and to the person responsible for the installation.

After an impact on the anchorage point, do not use the product again until it has been checked and brought back into compliance by a competent person authorised by the manufacturer.

Make sure that the PPE you use with the anchorage ring is not damaged so as not to affect its safety function.

Service life - Disposal

For Delta Plus Systems products, plastics and textiles, the maximum service life is 10 years from the date of manufacture, with the exception of the WVABS55 reference, as long as an annual inspection is carried out. There is no limit for metal products.

CAUTION, an exceptional event may lead you to reject a product after a single use (type and intensity of use, environment of use: aggressive environments, marine environment, sharp edges, extreme temperatures, chemicals, etc.).

A product must be scrapped when:

- ▶ It is over 10 years old and made of plastic or textile.
- ▶ The result of the product checks is not satisfactory.
- ▶ You have doubts about its reliability.
- ▶ You don't know its full history of use.
- ▶ Its use is obsolete (changes in legislation, standards, technology or incompatibility with other equipment, etc.).

Destroy these products to prevent future use.



Distributed by

Anchoring point

PLFIVXV and PLFIXVI

Maintenance and servicing

Any modification or addition to the equipment without the prior written consent of the manufacturer is prohibited.

Any repairs to system components must be carried out in accordance with Delta Plus Systems procedures. If in doubt about the condition of the product, replace it with an original Delta Plus Systems part.

A soiled product must be washed and rinsed with clean water, then dried. It must not be brought into contact with corrosive or aggressive materials, or stored at extreme temperatures. All chemical products and solvents can alter the resistance of the system components. If the product is likely to come into contact with these products, please let us know the exact name of the chemical components and we will reply after an appropriate study. It is known that equipment in use degrades progressively and it is therefore difficult to give a precise lifespan to the product without knowing the intensity and frequency of use. Similarly, an exceptional situation may limit the lifespan to a single use. Certain environments accelerate product ageing (salt, sand, snow, chemical environment, etc.) (non-exhaustive list).

Delta Plus Systems warrants this product against defects in materials and workmanship. The following are excluded from the warranty: normal wear and tear, oxidation, modifications or repairs, improper storage, improper maintenance, damage due to accidents, negligence or use for which this product is not intended.

It is recommended that the condition of the anchorage be checked at least once a year by an authorised and competent person in strict compliance with Delta Plus Systems operating procedures. These periodic and regular examinations are necessary because the

The user's safety is linked to the equipment's efficiency and strength. Check that the equipment is in good general condition, that the fasteners are in good condition, that the tightening torque is correct and that the markings are clearly legible.

The inspection and the results must be recorded in writing in a maintenance log using the identification and inspection sheet supplied by Delta Plus Systems. Our Delta Plus Training centre can train you in all these maintenance, overhaul and repair operations for Delta Plus Systems products and also carries out all these maintenance operations.

Delta Plus Systems can also help you check, inspect and maintain your permanent fall arrest and PPE safety systems. You can also ensure that your teams are fully conversant with the use of these fall arrest solutions and the basic concepts they need to know to work safely at height, by offering them comprehensive, customised training courses run by our training centre.



Delta Plus Training - 691, Chemin des Fontaines -
Cidex 8F - 38190 BERNIN - France



Distributed by

Anchoring point

PLFIVXV and PLFIXVI

Installation

For safety reasons, it is essential that the anchorage point is always correctly positioned and that the work is carried out in such a way as to minimise the risk of falls and the height of fall. It is also important to check that there is sufficient clearance below the user in the workplace, so that in the event of a fall there is no collision with the ground, and no other obstacle in the path of the fall. The anchorage must therefore be installed with all these safety parameters in mind. The product must be installed by installers approved or trained by Delta Plus Systems. Installers must ensure that the support materials in which the structural anchoring devices are fixed are suitable. Delta Plus Systems cannot be held responsible for incorrect installation of the anchoring point.

A schematic plan should be affixed to the building so that it is visible to all.

Where several anchor points are to be photographed for identification purposes, it is recommended that the anchor devices are marked with numbers and that this numbering is incorporated into the anchor device inspection records and the ground plan of the installation area.



Distributed by

Anchoring point

PLFIVXV and PLFIXVI

GENERAL NOMENCLATURE

1



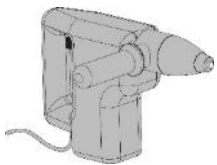
Anchor plate
WVPLFIXV

2

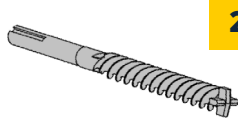


Anchor plate
WVPLFIXVI

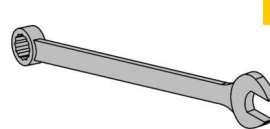
TOOLS & PERSONNEL REQUIRED



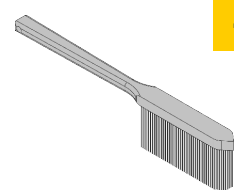
1



2



3



4

19

5

x 1



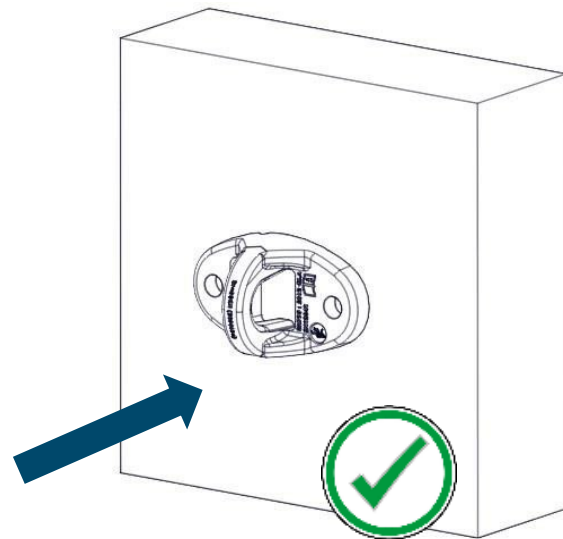
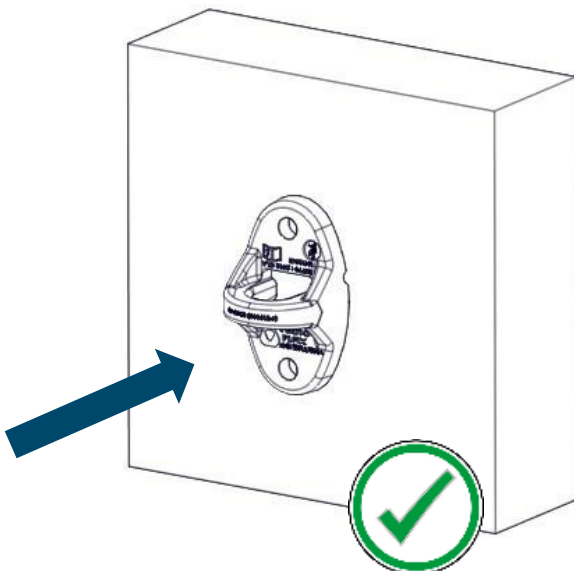
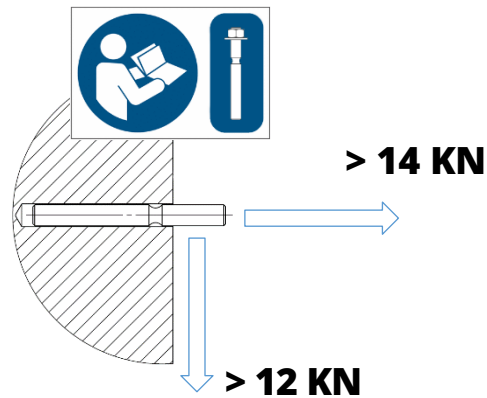


Distributed by

Anchoring point

PLFIVXV and PLFIXVI

PRE-REQUISITES



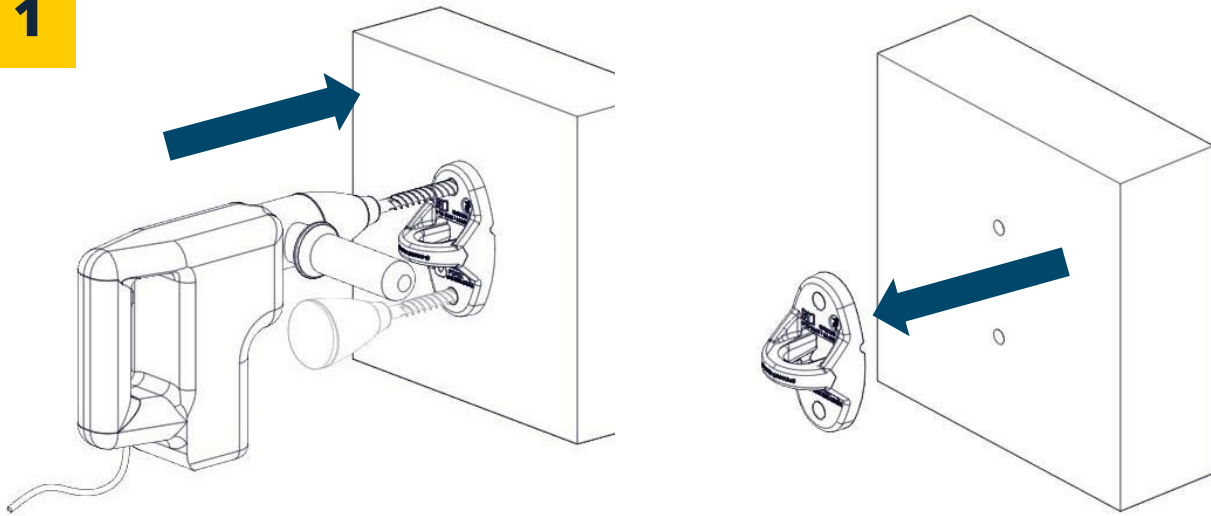


Distributed by

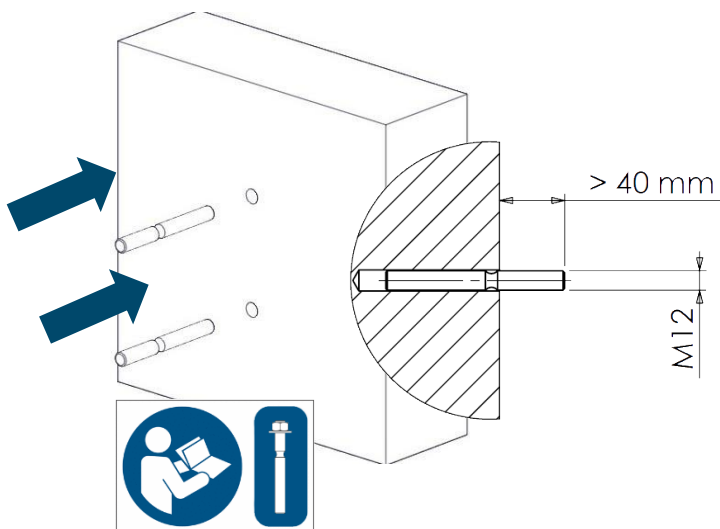
Anchoring point

PLFIVXV and PLFIXVI

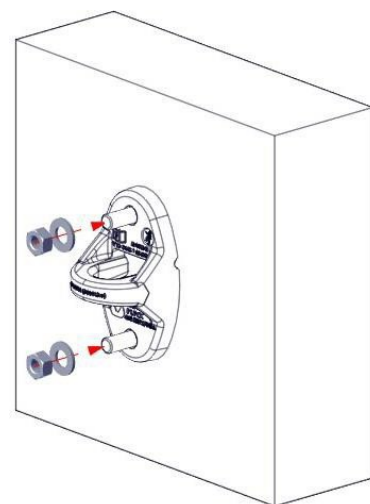
1



2



3



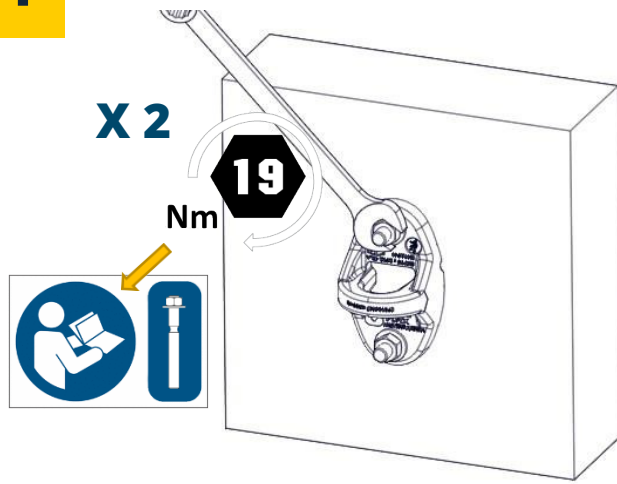


Distributed by

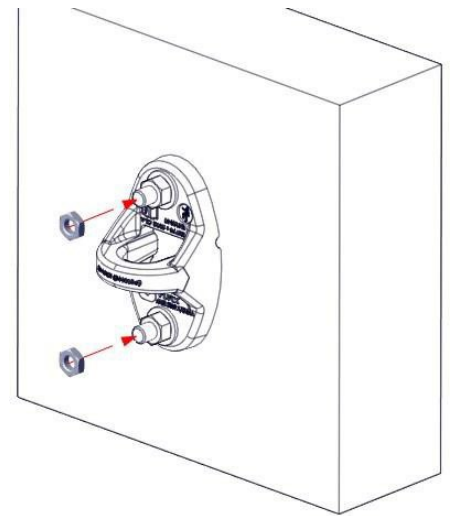
Anchoring point

PLFIVXV and PLFIXVI

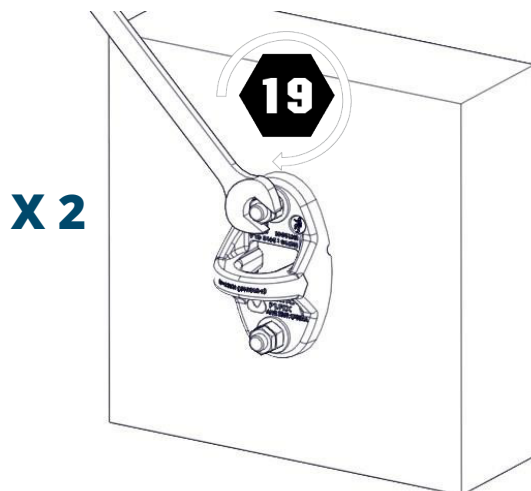
4



5



6

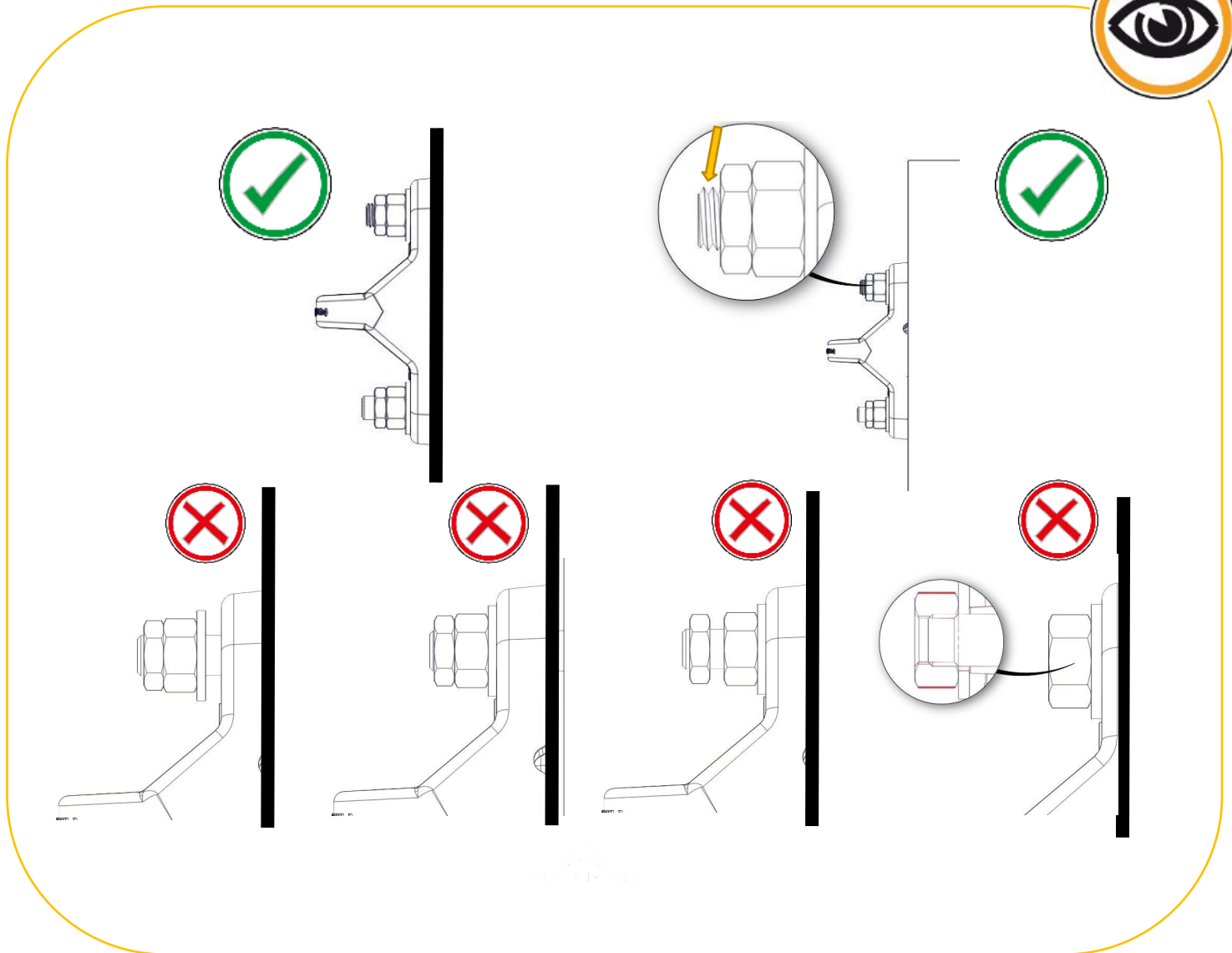




Distributed by

Anchoring point

PLFIVXV and PLFIXVI





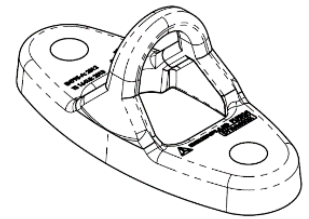
Distributed by

Anchoring point

PLFIVXV and PLFIXVI

PLFIXV OR PLFIXVI ANCHORING POINT

Product identification	
Manufacturer / Supplier:	Delta Plus Systems
Product name / Reference:	Anchoring point - WVPLFIXV / WVPLFIXVI
Normative references:	Standard EN 795 : 2012 Standard CEN/TS 16415: 2013



User identification			
Name:		Company:	
History check			
Year of manufacture:		Date of first use:	
		Date of purchase	

The controller declines all responsibility in the event of inaccuracy in the information concerning the historical verification which must be carried out by the user. The user is obliged to keep the entire history of the periodic examinations and repairs carried out.

Service life / Disposal

For Delta Plus Systems products, plastics and textiles, the maximum service life is 10 years from the date of manufacture. There is no limit for metal products. CAUTION, an exceptional event may lead you to reject a product after a single use (type and intensity of use, environment of use: aggressive environments, marine environment, sharp edges, extreme temperatures, chemicals, etc.).

A product must be scrapped when:

- It is over 10 years old and made of plastic or textile, except for the seals, which need to be inspected regularly.
- He has suffered a serious fall (or strain).
- The results of the product checks are not satisfactory. You have doubts about its reliability.
- You don't know its full history of use.
- When its use is obsolete (changes in legislation, standards, technology or incompatibility with other equipment, etc.).

Destroy these products to prevent future use.





Distributed by

Anchoring point

PLFIVXV and PLFIXVI

Comments

Good

To watch out for

Repaired

To be discarded

Visual check of components					
General condition of the anchor (cracks, marks, deformations, wear, corrosion, etc.)					
Presence and condition of fasteners (tightness, corrosion, etc.)					
Presence of markings with normative information					

Functional verification of components					
Free movement of different carabiners inside the ring					
Correct location of the anchoring point in relation to the area to be secured					

Comments :

Inspection verdict

<input type="checkbox"/>	The product is fit to remain in service	<input type="checkbox"/>	The product is unfit to remain in service
--------------------------	------------------------------------------------	--------------------------	--------------------------------------------------

Identification and visa of the controller

Name:		Company	
Date of inspection:		Controller's stamp (Signature / Stamp):	
Date of next inspection:			