



## Installation instructions for cage ladders



Complies with the following standards: « NF E 85-016 » & « NF EN 14122-4 »

---

**INSTALLATION INSTRUCTIONS**

---

# 1 - NOMENCLATURE

## 1.1 - LADDERS



**Ladder 1.96 M**

REF : WVPR000296



**Ladder 2.80M**

REF : WVPR000297



**Ladder connection sleeve**

REF : WVPR000303



**Pair of standard plugs**

REF : WVPR000309

## 1.2 – EXITS



**Wide right exit**

REF : WVPR000325



**Wide exit with landing step**

REF : WVPR000305  
(without gate)



**Output extension lead 695**

REF : WVPR000323  
(without gate)



**Output extension lead 920**

REF : WVPR000324  
(without gate)



**Output extension lead 1145**

REF : WVPR000322  
(without gate)

# 1.3 : CRINOLINE



**Flared hoop for wide exit**  
REF : WVPR000290



**Standard hoop**  
REF : WVPR000291



**3/4 hoop for right exit**  
REF : WVPR000286



**Fixed landing with corrugated aluminium plate**  
REF : WVPR000306



**Folding intermediate landing**  
REF : WVPR000307  
(excluding roll bar)



**Extruded bar 3 M**  
REF : WVPR000300

**Extruded bar 2 M**  
REF : WVPR000299

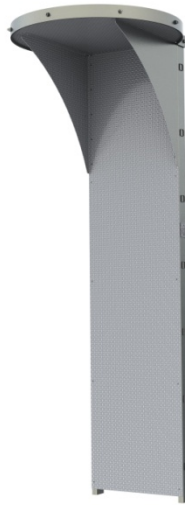


**Spacer clamp**  
REF : WVPR000293

# 1.4 : ACCESS BLOCKING



**Pivoting gate**  
REF : WVPR000226



**Blocking door with pivoting gate**  
REF : WVPR000228



**Door without gate**  
Depending on fixing structure  
REF : WVPR000316

# 1.5 : BRACKETS



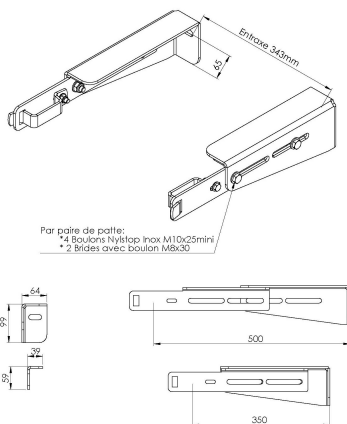
**Standard brackets**  
REF : WVPR000313



**Adjustable brackets 200-300**  
REF : WVPR000310



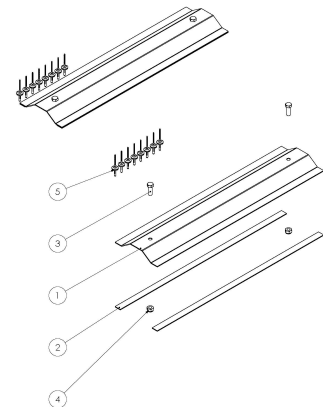
**Adjustable brackets 300-400**  
REF : WVPR000311



**Adjustable wall brackets 350-500MM**  
REF : WVPR000328  
**Adjustable wall brackets 500-650 MM**  
REF : WVPR000329  
**Adjustable wall brackets 650-800 MM**  
REF : WVPR000330



**Angles for floor fixing**  
REF : WVPR000312



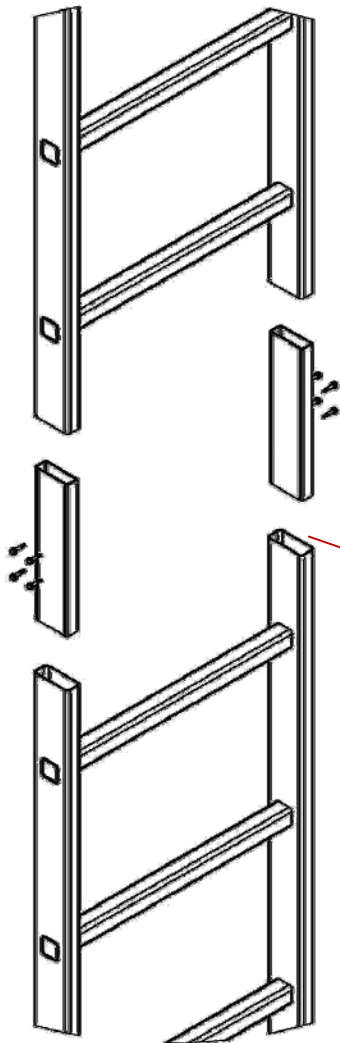
**Fixing for ladder on cladding**  
REF : WVECHKITBARD

# 2 - ASSEMBLY INSTRUCTIONS FOR FIXED ACCESS LADDERS

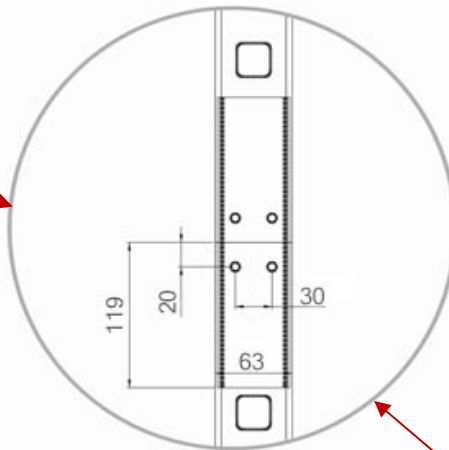
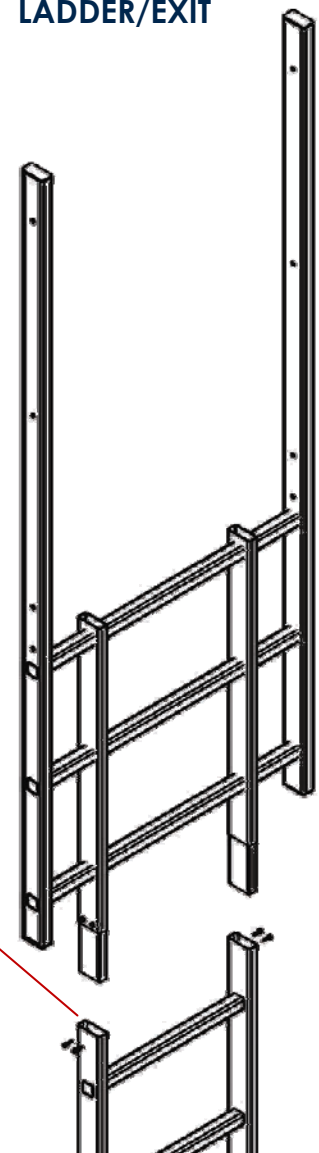
## STEP#1 - ASSEMBLY OF JOINTS

STEP#1 :

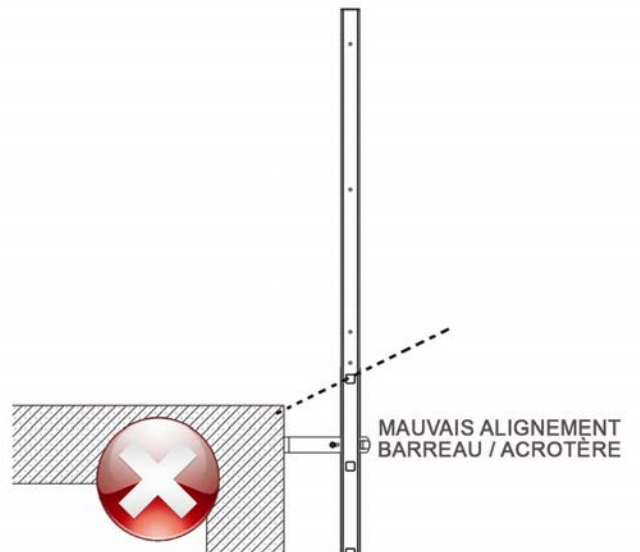
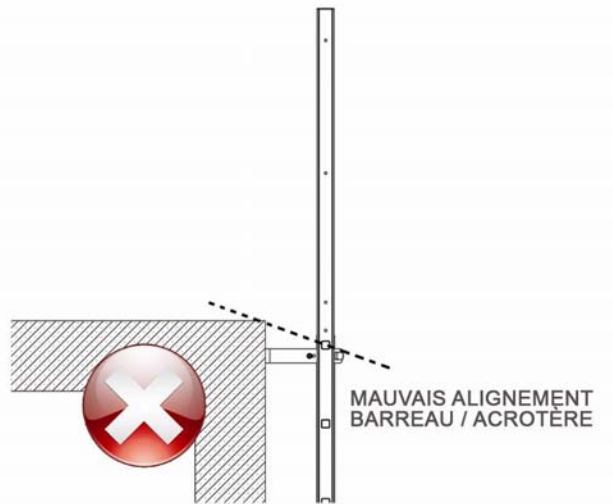
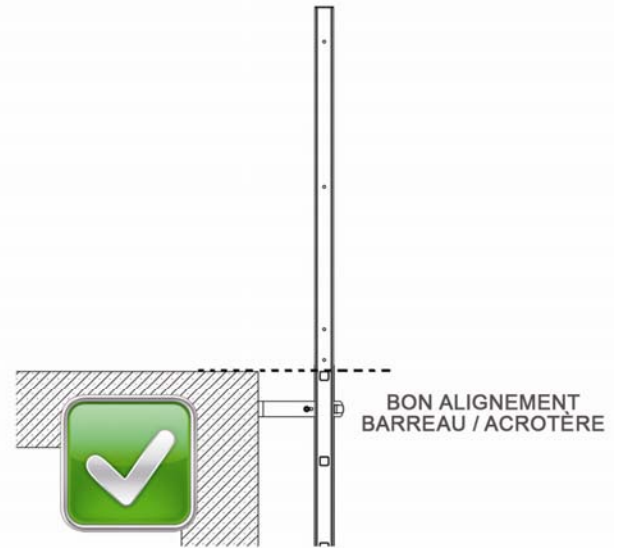
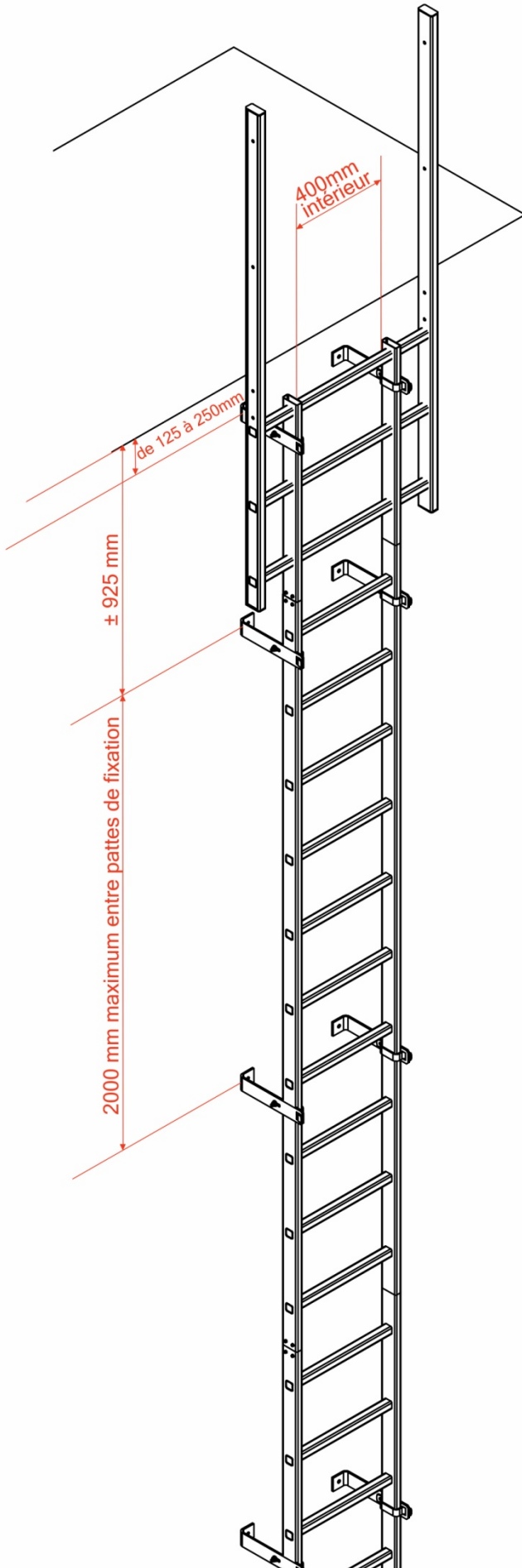
CONNECTION SLEEVE  
LADDER/LADDER



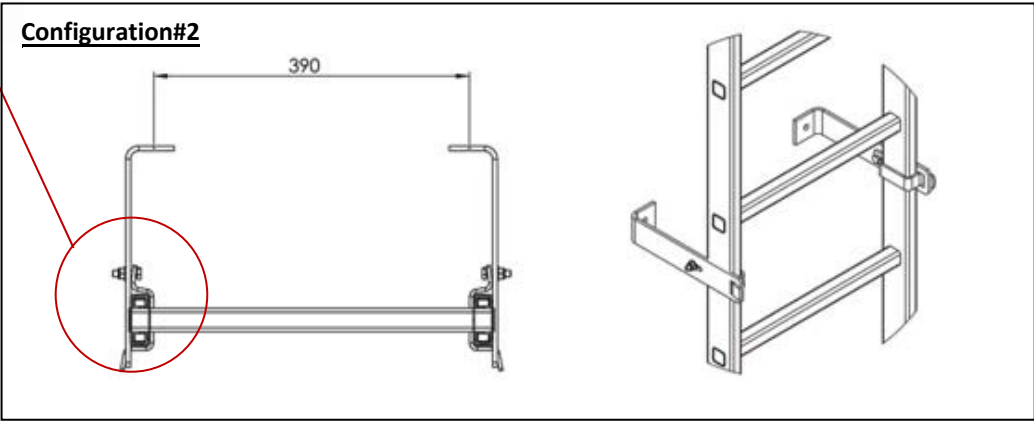
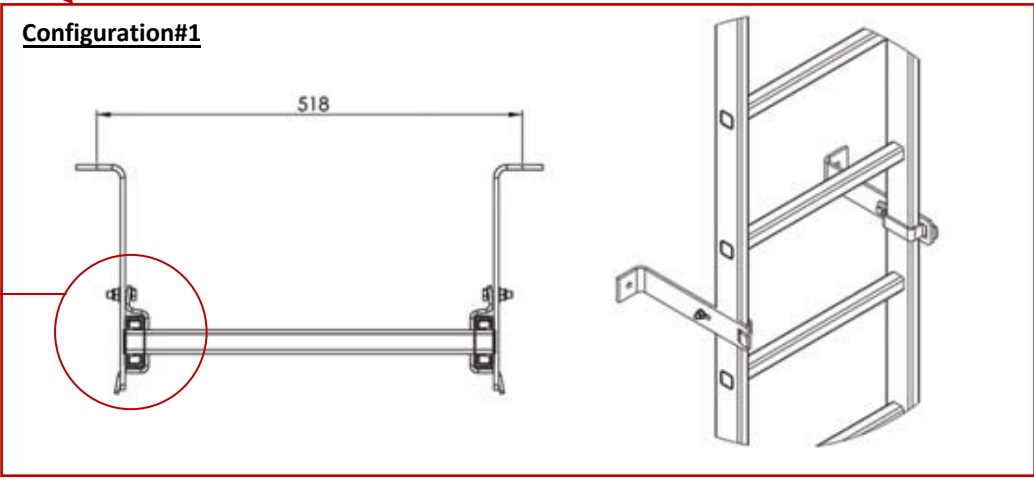
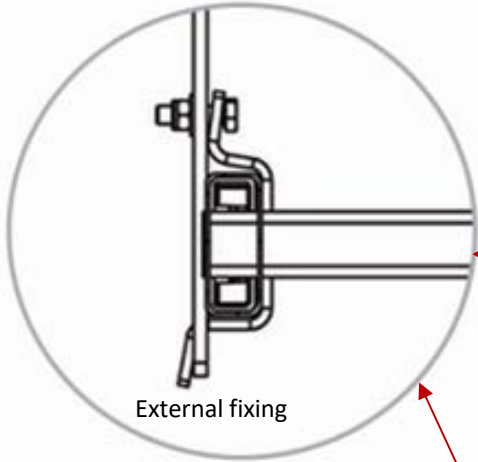
CONNECTION SLEEVE  
LADDER/EXIT



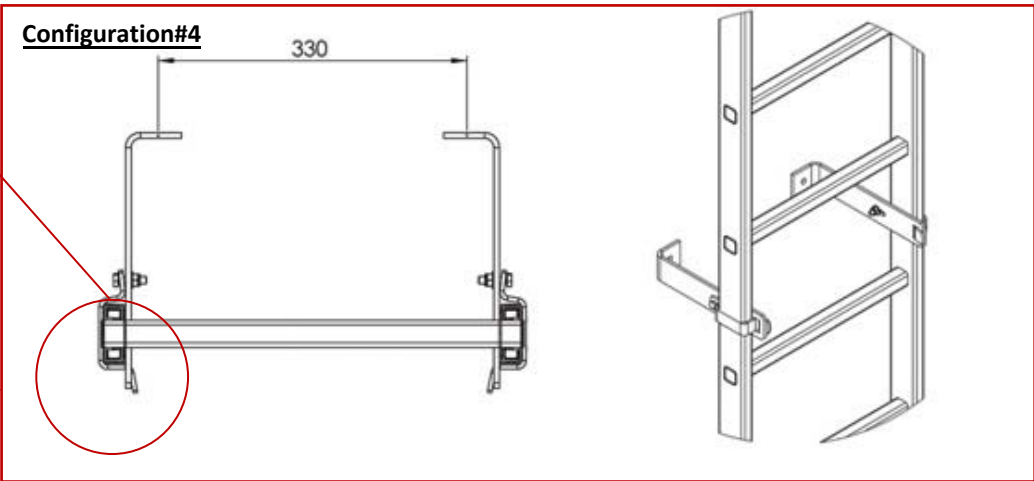
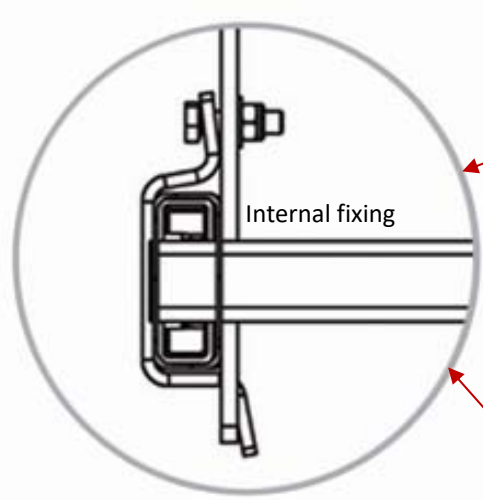
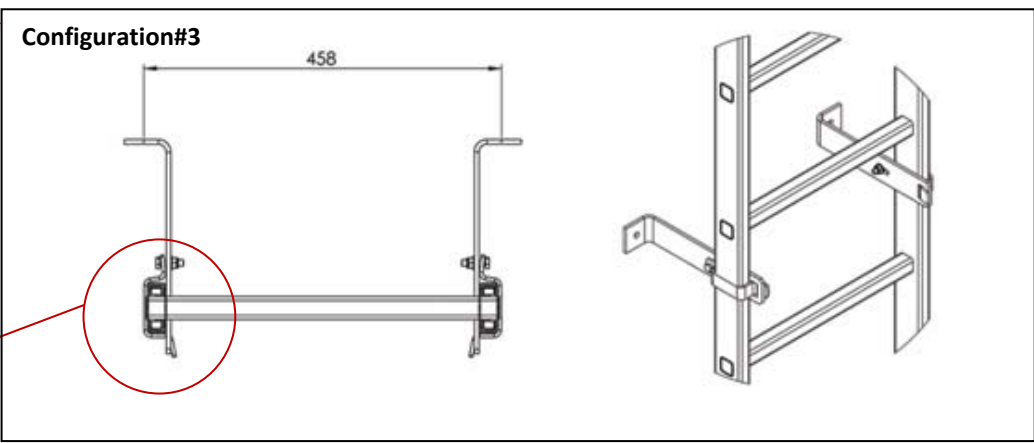
# STEP#2 - ASSEMBLY OF BRACKETS



NB: External/external configuration.  
**Recommended mounting configuration.**  
Other configurations are an aesthetic choice with no impact on mechanical strength.



NB: Configuration#3 recommended for locking (door / gate, etc.)

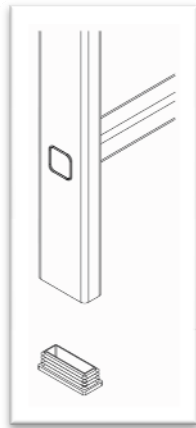


NB: Configuration#4, mounting configuration for cladding plate.

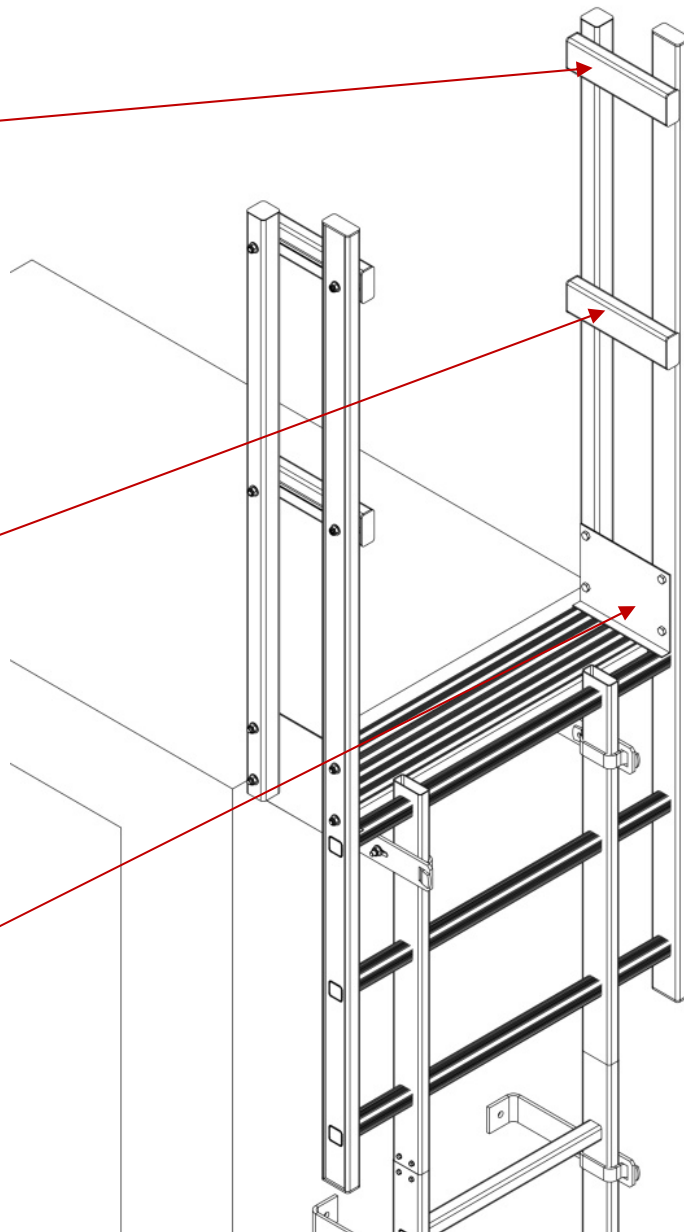
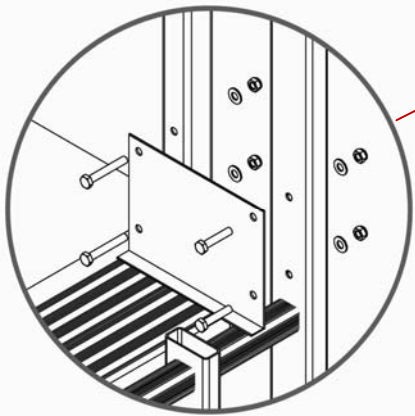
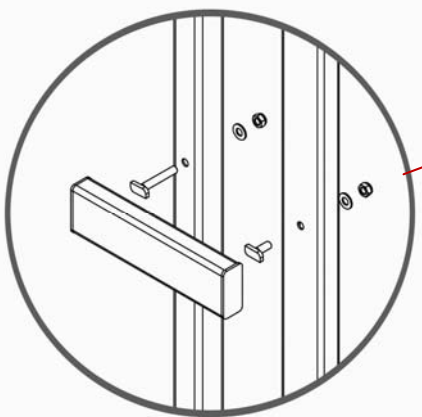
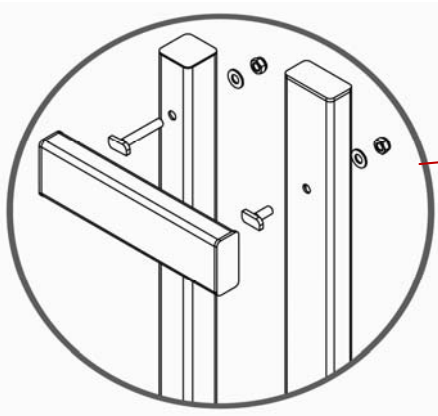


## Step#2.1 – INSTALLATION OF PLUGS

Fitting plugs to the lower sections of ladders and to the upper sections when changing flights.

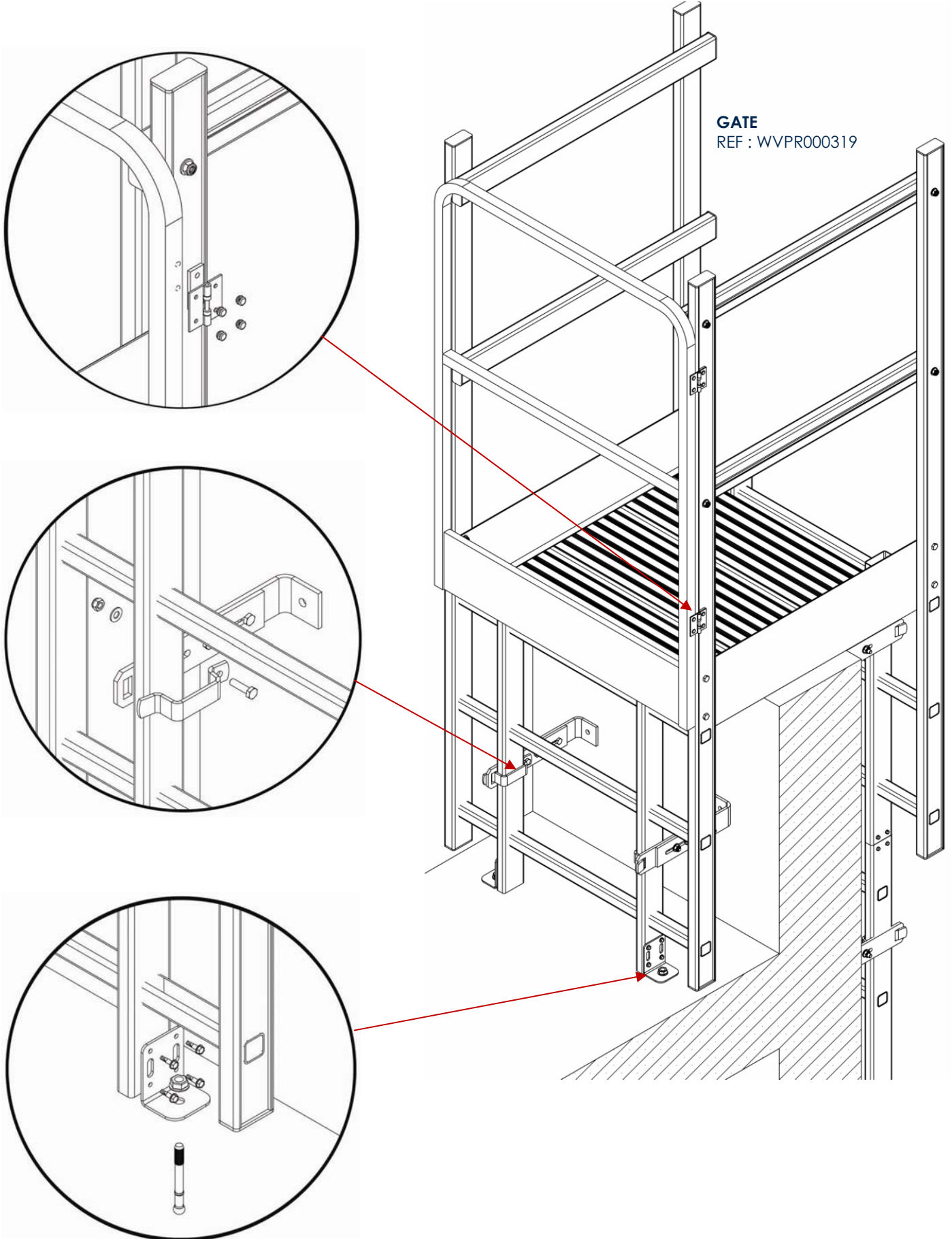


## STEP #3- ASSEMBLY OF STANDARD EXIT

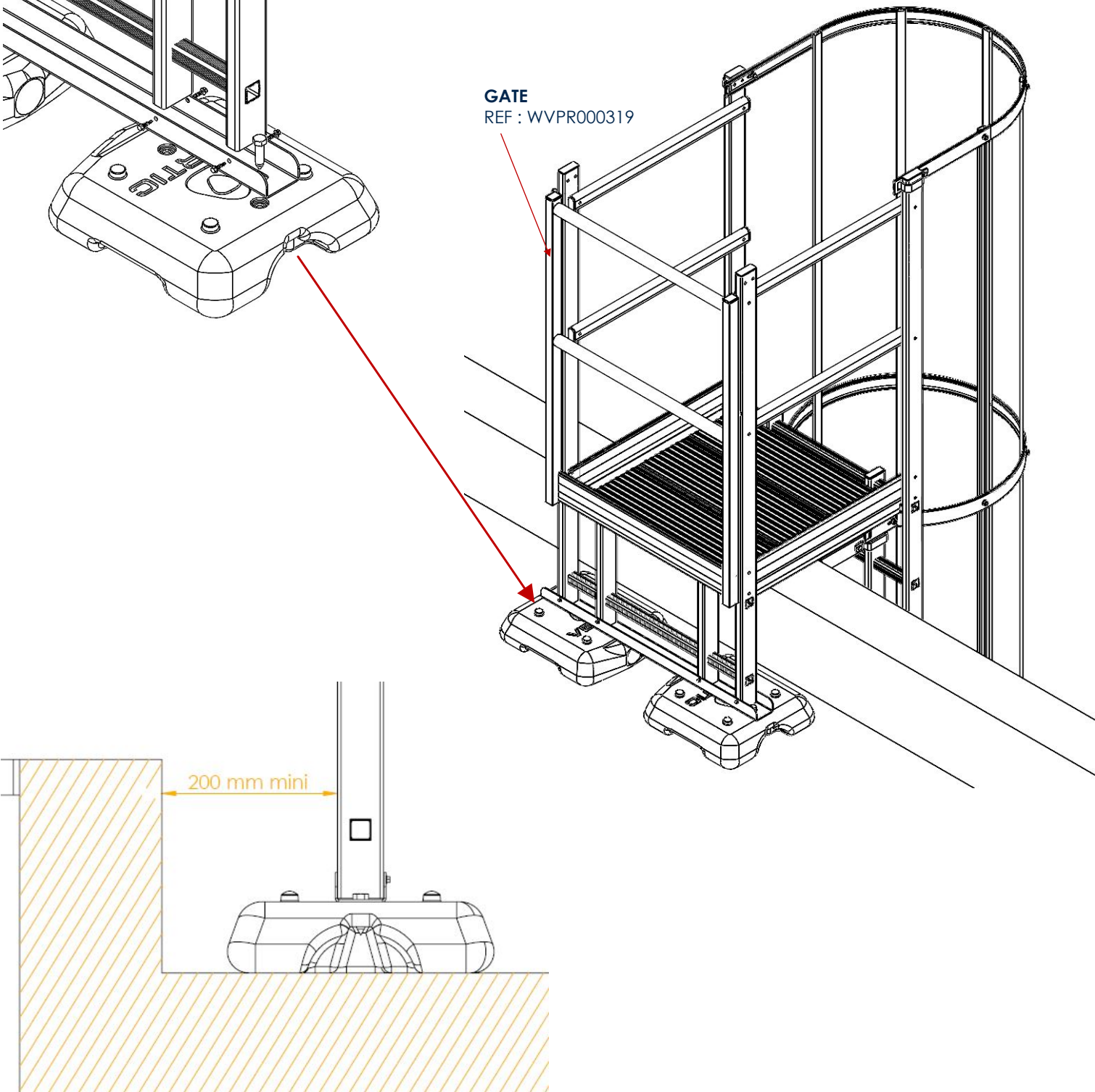




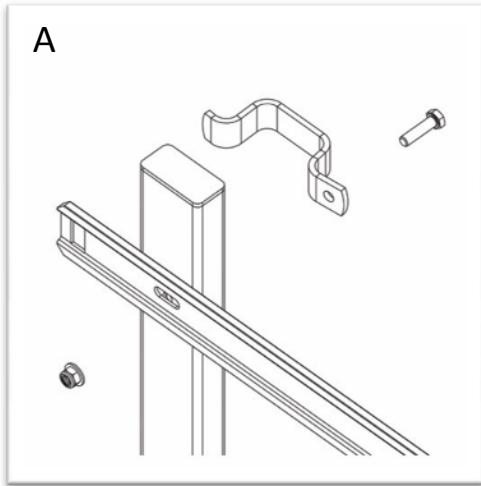
# STEP#4- ASSEMBLY OF EXIT TO GATEWAY



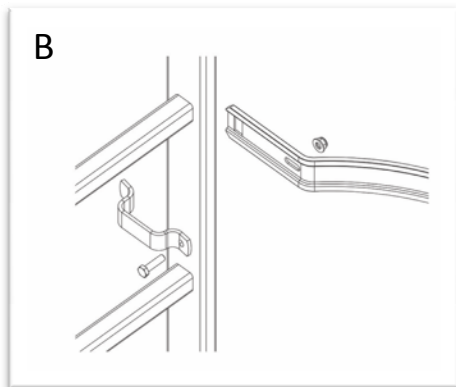
# STEP#5- ASSEMBLY OF CONCRETE COUNTERWEIGHTS



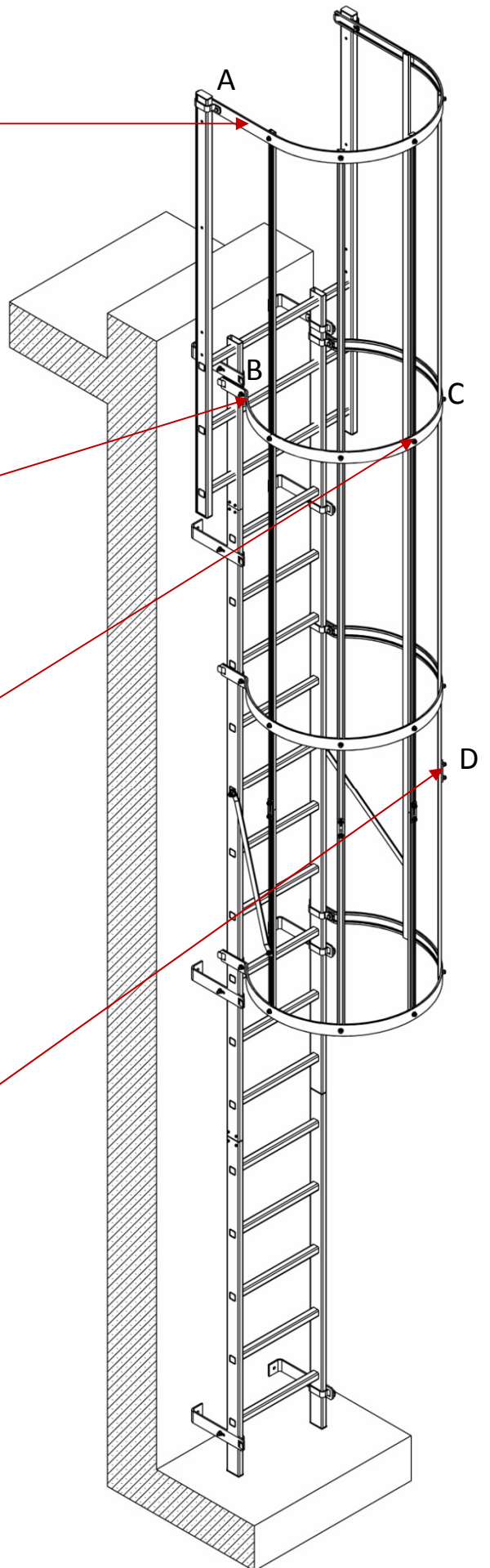
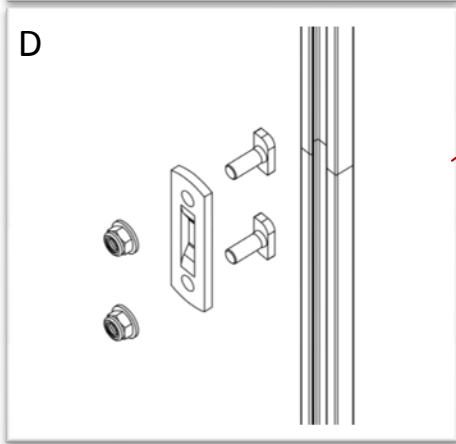
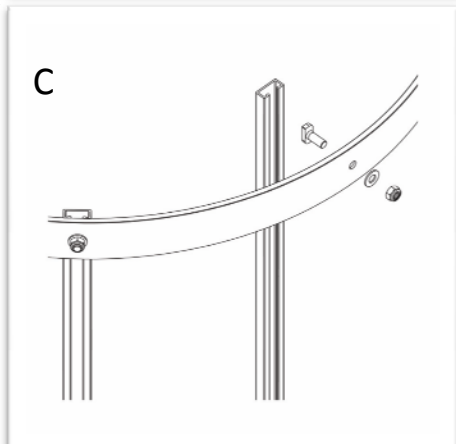
# STEP#6- ASSEMBLY OF HOOPS & EXTRUDED BARS



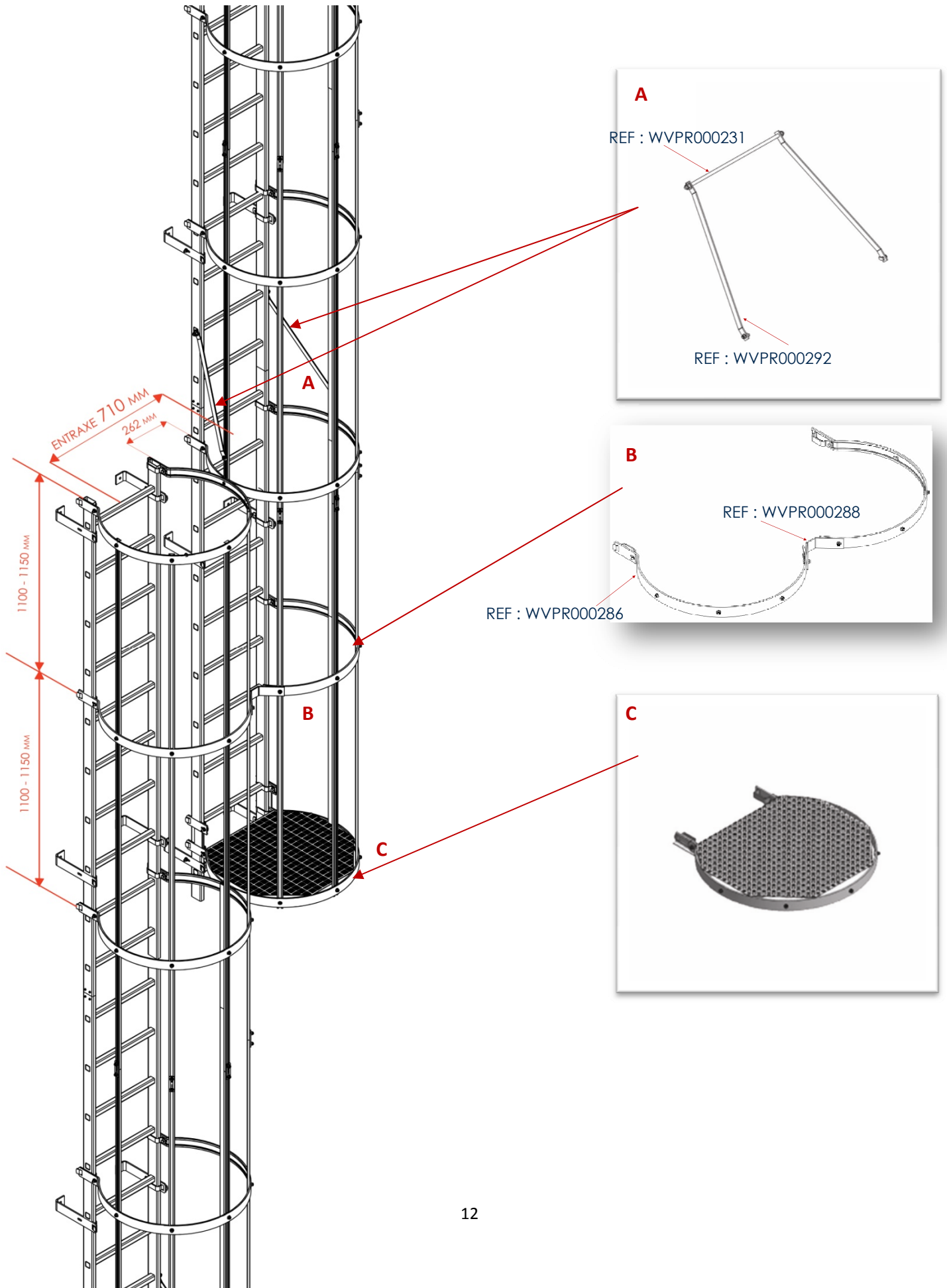
Wide hoop: fixing on the inside of the ladder upright



Standard hoop: fixing on the outside of the ladder upright



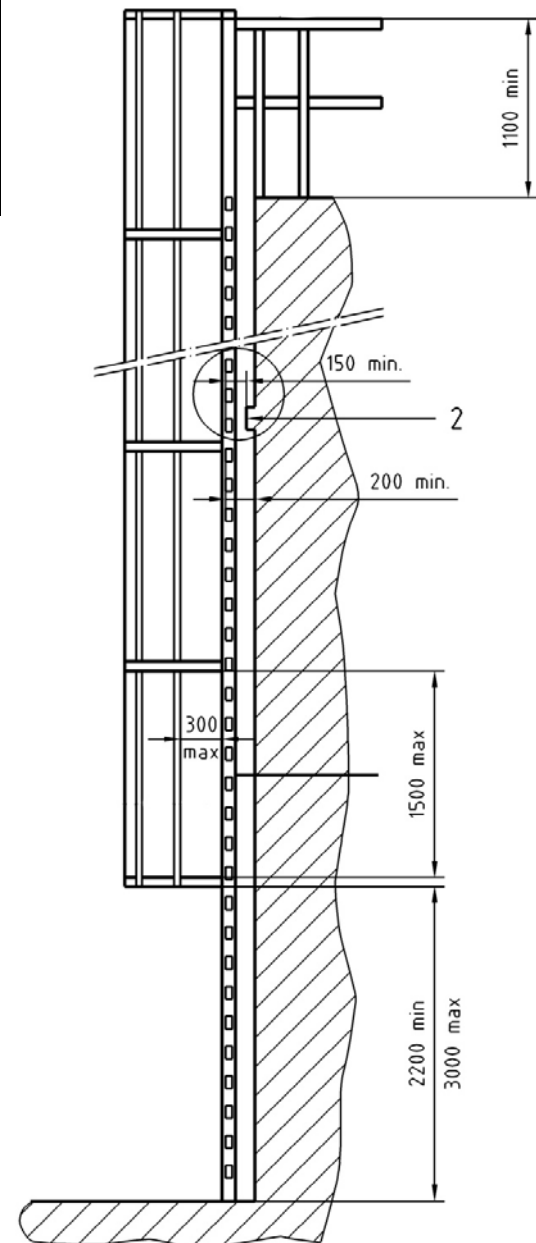
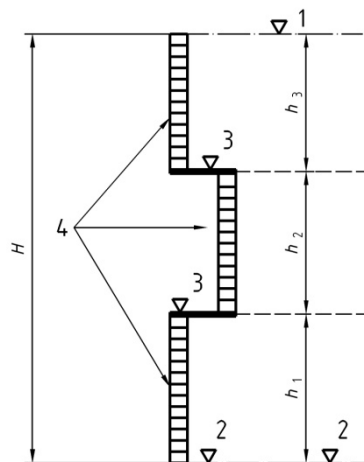
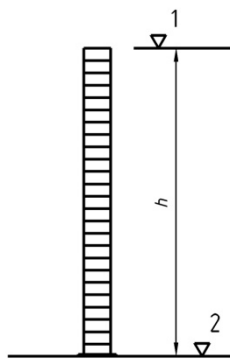
# STEP#7- CHANGE OF FLIGHT



# EXAMPLE OF A STANDARD MODEL

NF EN 14122-4 - FIXED LADDERS FOR ACCESS TO MACHINERY AND MACHINERY INSTALLATIONS

Up to 3 m drop height	Without back protection
From a drop height of 3 m	Back protection
Up to a climbing height of 10 m	Single flight
From a climbing height of 10 m	Max. flight length 6 m
Distance between the lower back protector and the ground	2200 mm à 3000 mm
Upper echelon	At the output



Vue de profil

**Légende**

- 1 Niveau d'arrivée
- 2 Niveau de départ
- 3 Palier intermédiaire
- 4 Volée

$h_{\max} = 10000$  mm  
a) Échelle sar  
(volée unique)

$h_{\max} = 6000$  mm  
b) Échelle avec volées décalées